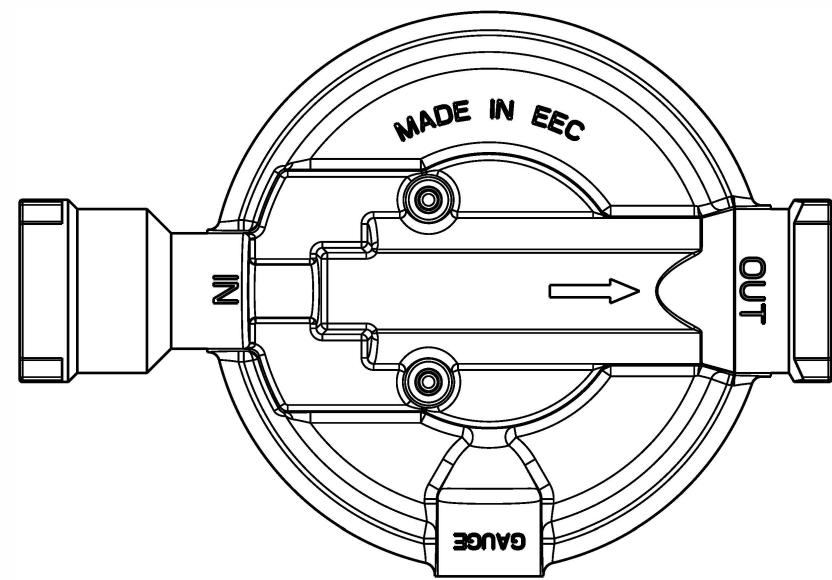
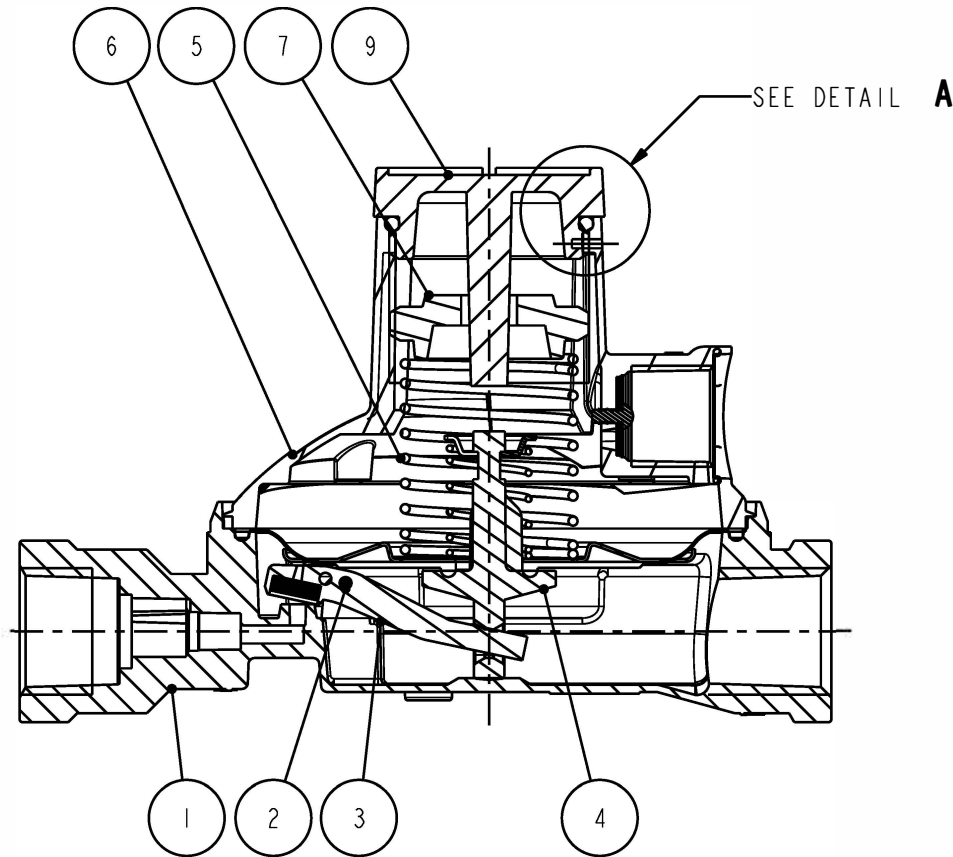
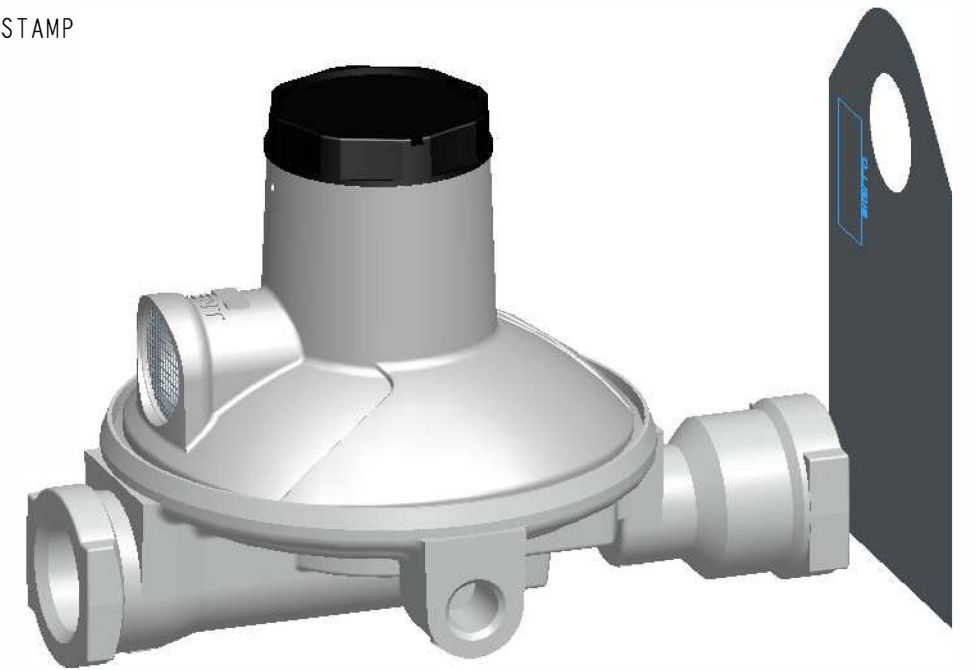
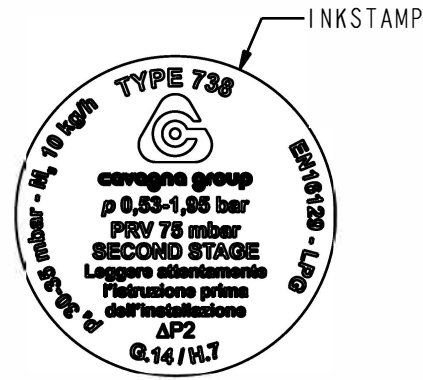
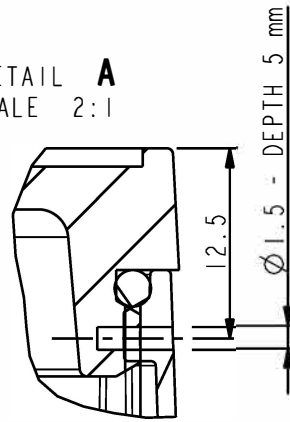


This drawing may not be copied or distributed in any way without the written permission of Cavagna Group Div. RE.CA. Via Matteotti, 5 - Calvisano - BS - Italy



DETAIL A
SCALE 2:1

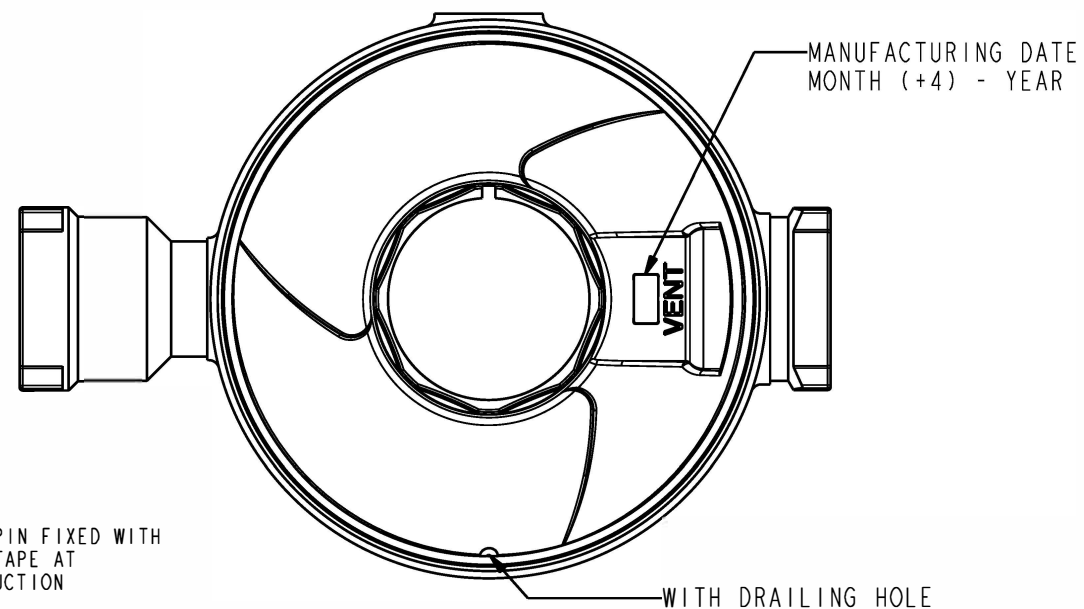


738
SECOND STAGE REGULATOR
LPG
30-35 mbar 10 kg/h
INLET: G 1/2 FEMALE (G.14)
OUTLET: G 1/2 FEMALE (H.7)

LABEL FOR SINGLE BOX

SOLD ONLY IN ITALY

NO	NO PRODUCT	DENOMINATION	Q.TY
1	00-1-150-0101	SCATOLA MOD.73 RAPP.1/3 - (Rp 1/2 ISO7- Rp 1/2 ISO7) lavorata	1
2	05-4-110-0020	PIN-LEVER	1
3	02-4-950-0005	S/I LEVETTA MOD.73 USA	1
4	09-1-950-0074	S/I MEMBRANA VDS MOD.73 EUROPA	1
5	07-1-110-0215	MOLLA TARATURA 28 mbar (TIPO 734 NF)	1
6	01-1-950-0086	S/A COVER FOR REGULATOR TYPE 738 WITH FILTER	1
7	08-4-110-0032	SPRING ADJUSTER	1
8	24-1-110-0001	WHITE ALUMINIUM RAL 9006	1
9	19-4-950-0022	S/I TAPPO MOD.73 USA	1
10	18-1-310-0794	INK STAMP FOR TYPE 738	1
11	34-1-950-0012	S/A INSTRUCTION FOR TYPE 738	1
12	23-1-210-0221	IMBALLO REGOLATORE INDIVIDUALE	1
13	34-1-210-2907	SINGLE BOX LABEL FOR TYPE 738	1
14	23-1-510-0024	STANDARD BOX (R52)	1



11

By FERRARI
Components & Tools

ADJUSTING PIN FIXED WITH ADHESIVE TAPE AT THE INSTRUCTION

	DENOMINATION		SECOND STAGE REGULATOR TYPE 738		LPG 30-35 mbar 10 kg/h			
	RECA		MODEL	ORIFICE	INLET	OUTLET	SHARED	PROD. INT GROUP
PERFORMANCE DOC.		COUNTRY	COUNTRY SPECIFIC	WEIGHT	SCALE	MODIFY FILE	PRODUCT NO	REV
73-072		ITALIA	EN16129	-	4:5	DM05388	73-1-890-0046	11
PROD. EVOLUTION		PROJECT NO	RELEASE LEVEL	DRAWN BY	VERIFIED BY	APPROVED BY		
DEFINITIVE		N.A.	APPROVED+	SCARPELLA A.	TOMASELLI L.	SCHLICKE B.	09/12/15	